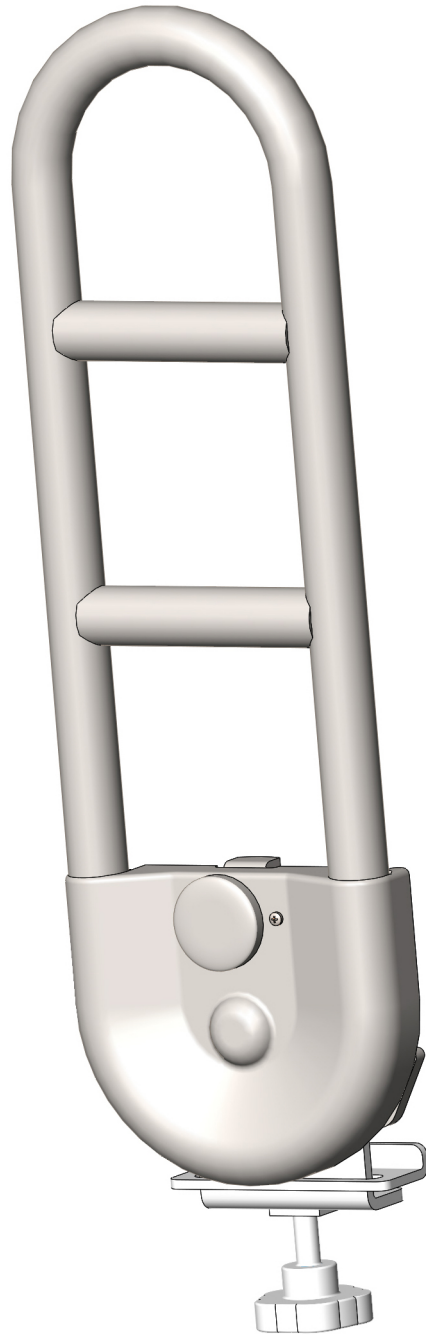
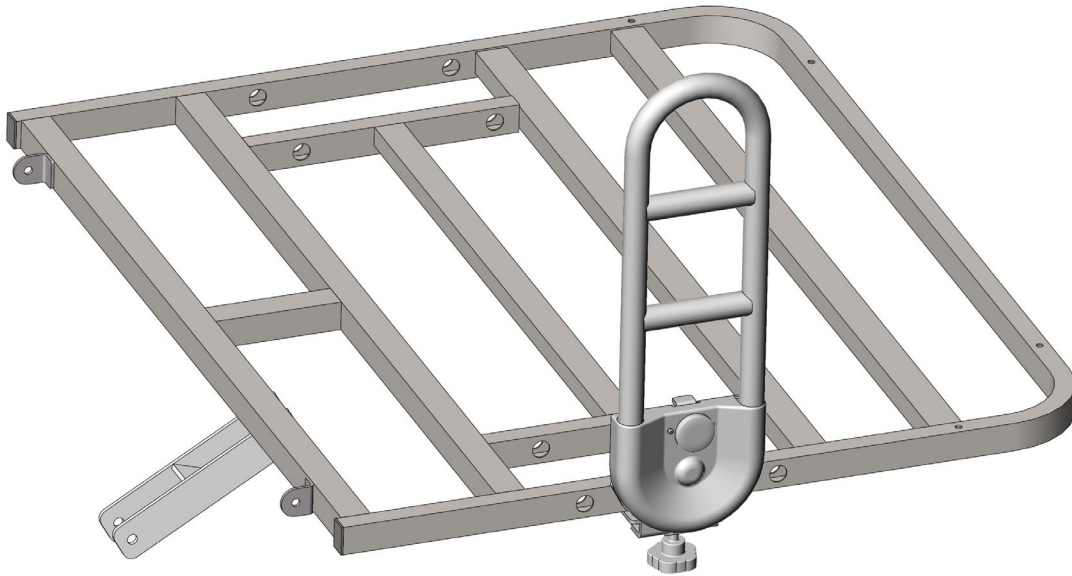


**ITEM # PAB100-C  
PIVOT ASSIST BAR  
USER MANUAL**



1. Pivot Assist Bar Installation

Insert the Pivot Assist Bar mounting base onto the bed frame rectangular tube. Adjust the position as desired and tighten the screw as per Figure # 1.



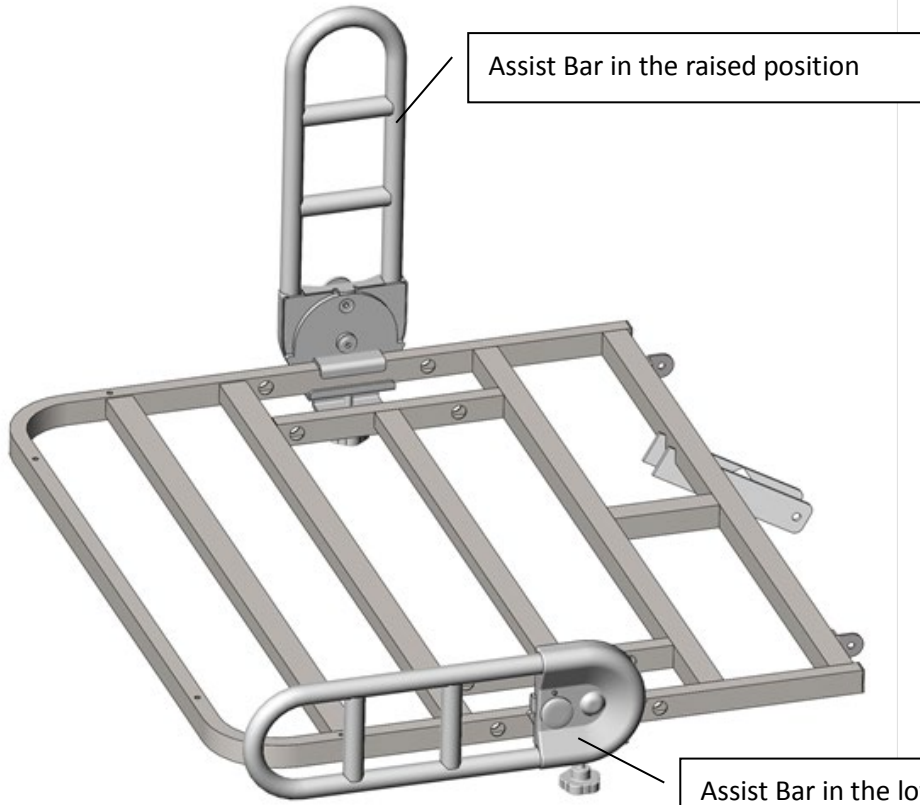
Figure#1

2. Repeat the above installation in Step 1 to install the Pivot Assist Bar on the other side of the bed.

3. The Pivot Assist Bar is an assist device to aid the patient when transferring in and out of bed.

**To raise the Assist Bar:** Pull up the Assist Bar until it clicks in place as per “Assist Bar raising status” in Figure # 2.

**To lower the Assist Bar:** Pull out the locking knob (to unlock the Assist Bar) and pull down the Assist Bar towards the head or foot section as per “Assist Bar lowering status” in Figure # 2.



Pull out the lock button to lower the Pivot Assist Bar

Figure # 2